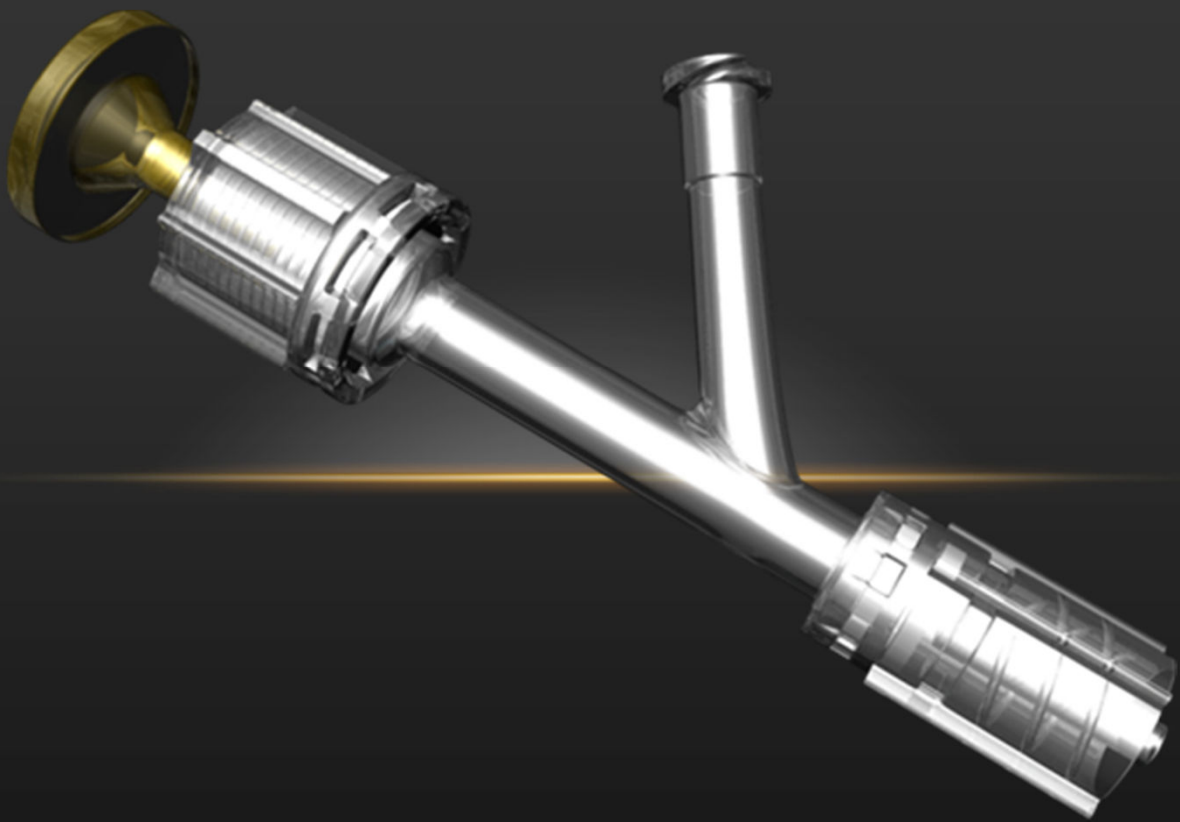


OKAY II

Y-connector Set



Minimizing stress, Maximizing possibilities

**"In order to provide the possibility to be the best physician
that she/he can be!"**

BrageMedical

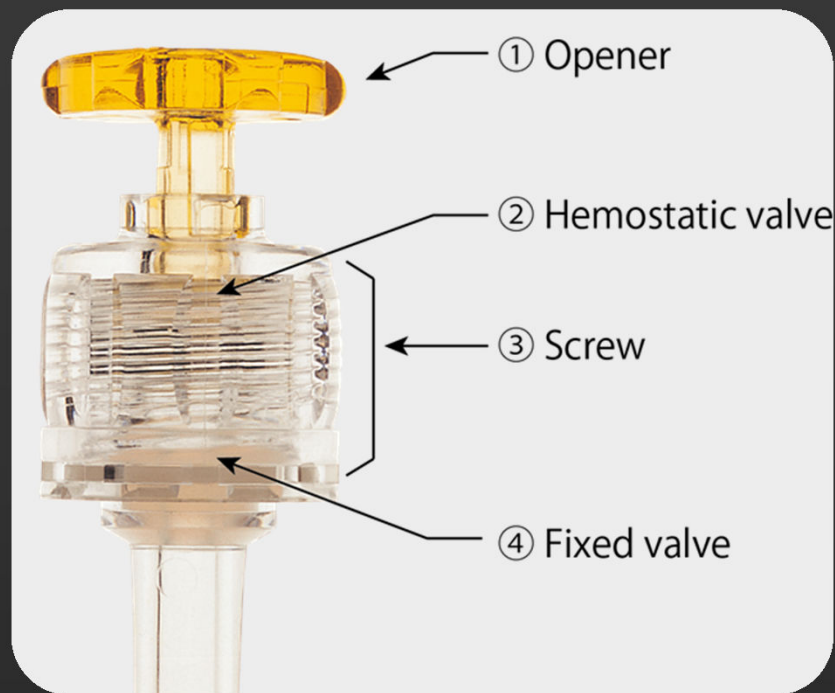


FEATURES

- **LARGE LUMEN (10 Fr / 3,33 mm)**
Allows for use in combination with various products for a variety of PCI strategies
- **SUPERIOR DESIGN**
Facilitates single-handed operation
- **MINIMIZE BLOOD LOSS**
Two valves (hemostatic and fixed) greatly reduce blood loss during the procedure
- **EASE-OF-USE**
Hemostatic valve features a locking mechanism

Maintaining the popular easy-to-use one-touch hemostatic valve design, OKAY II now features a locking mechanism. Once the hemostatic valve has been opened, a clockwise quarter turn locks the valve in the open position



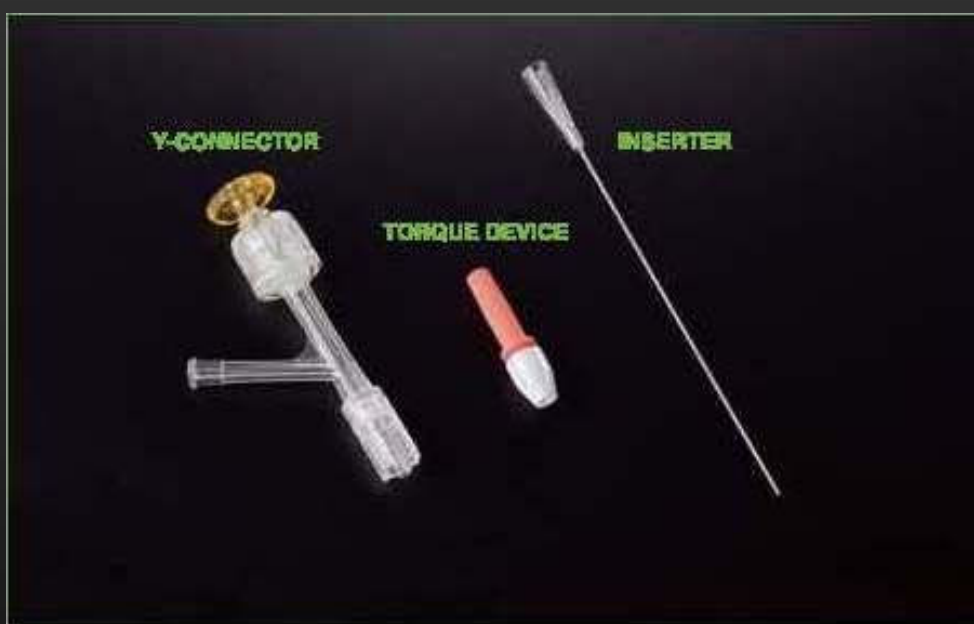


PRINCIPLES OF OPERATION:

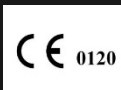
- **The Hemostatic valve (2)**
Pushing the Opener (1) in direction of the hemostatic valve opens the device. When the Opener is released, the Opener returns to original position and the Hemostatic valve closes accordingly. Pushing the Opener and turning it clock-wise locks the Hemostatic valve in open position until it's released by the Opener.
- **The Fixed valve (4)** is in open position when it's shipped and provided. The Fixed valve can be closed by turning the Screw (3) one revolution clockwise. When the fixed valve is in a closed position, wire- and catheter positioning can be fixed and introduction of contrast media or drug solution is possible.

Bestillingsinformasjon:

Varenummer	Varenavn	Salgsenhet
YOK0A	OKAY II y-Connector Kit (inkl. y-connector, nål og rotator)	Eske á 5 enheter



Produsent: Goodman CO., Ltd, 276-1 Idogane-cho, Seto, Aichi 489-0976 Japan



Forhandler i Norge:

Brage Medical AS, postboks 341 Bragernes, 3001 Drammen

Tel: 32 83 59 00, Faks: 32 83 59 01, mail: info@bragemedical.no

Web: www.bragemedical.no

BrageMedical