

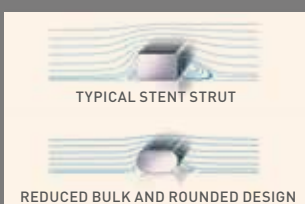
Inperia Advance

CoCr BALLOON EXPANDABLE STENT FOR BTK INDICATIONS

Cobalt chromium coronary stent with Bio Inducer Surface technology allowing a complete and faster stent strut endothelialization, for the treatment of below-the-knee vessels.



- Proven bio and haemo-compatibility enabled by the Bio Inducer Surface coating, which accelerates the rate of endothelialization and reduces thrombogenicity



- Newly engineered stent struts improve blood flow dynamics



- Platinum markers at stent edges allow unmatched visualization and placement accuracy

TECHNICAL DATA

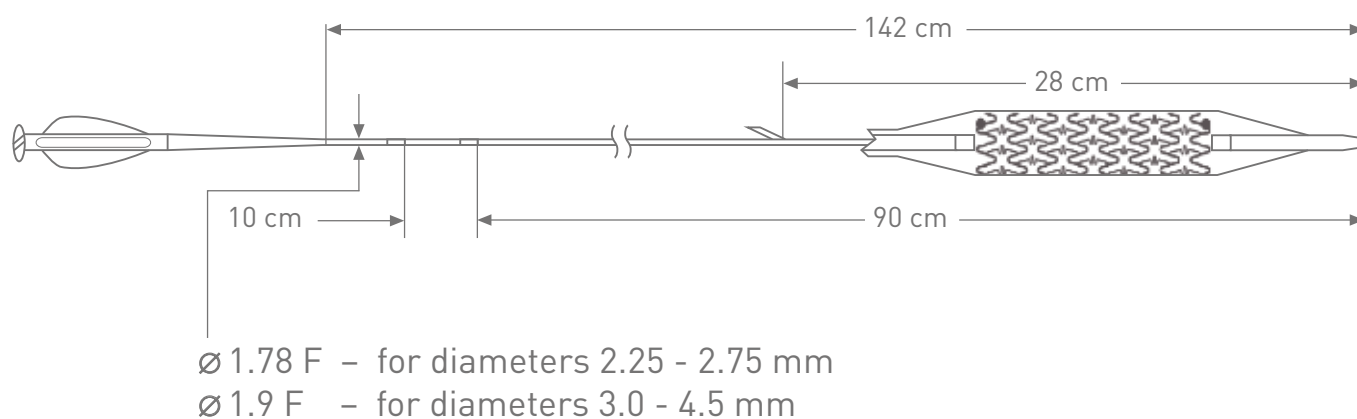
| PERIPHERAL STENT | |
|---|---------------------|
| Stent diameters: | 2.25 - 4.50 mm |
| Stent lengths: | 7 - 31 mm |
| Stent material: | L605 CoCr alloy |
| Strut thickness: | 70 - 80 µm |
| Strut surface coating: | Bio Inducer Surface |
| 2 platinum radiopaque markers at stent ends | |
| No stent foreshortening upon expansion | |
| DEVICE SPECIFICATIONS | |
| Rapid Exchange (RX) | |
| Introducer sheath compatibility: | 4F |
| Guiding catheter compatibility: | 5F |
| Guidewire compatibility: | 0.014" |
| Usable Catheter Length - UCL: | 142 cm |
| Nominal Pressure: | 9 atm |
| Rated Burst Pressure: | 18 atm |

Inperia Advance

CoCr BALLOON EXPANDABLE STENT FOR BTK INDICATIONS

ORDER INFORMATION INPERIA ADVANCE

| ∅ (mm) \ L (mm) | 7 | 8 | 12 | 16 | 20 | 24 | 25 | 31 |
|-----------------|-----------|-----------|-----------|-----------|-----------|-----------|-----------|----------|
| 2.25 | ICIC22507 | | ICIC22512 | ICIC22516 | ICIC22520 | ICIC22524 | | |
| 2.50 | | ICIC2508 | ICIC2512 | ICIC2516 | ICIC2520 | | ICIC2525 | |
| 2.75 | | ICIC27508 | ICIC27512 | ICIC27516 | ICIC27520 | | ICIC27525 | |
| 3.00 | | ICIC3008 | ICIC3012 | ICIC3016 | ICIC3020 | | ICIC3025 | ICIC3031 |
| 3.50 | | ICIC3508 | ICIC3512 | ICIC3516 | ICIC3520 | | ICIC3525 | ICIC3531 |
| 4.00 | | ICIC4008 | ICIC4012 | ICIC4016 | ICIC4020 | | ICIC4025 | ICIC4031 |
| 4.50 | | | ICIC4512 | ICIC4516 | ICIC4520 | | ICIC4525 | ICIC4531 |



www.alvimedica.com

Please contact your local sales representative for product availability.

Not for sale in the USA and Japan.

The images shown within this document are of a purely illustrative nature and are not intended to depict reality.

Please consult product labels and package inserts for indications, contraindications, hazards, warnings, cautions and instruction for use.

Manufactured by: CID S.p.a., Strada per Crescentino, sn - 13040 Saluggia (VC) Italy

©2014, Alvimedica. All Rights Reserved.



back to life!