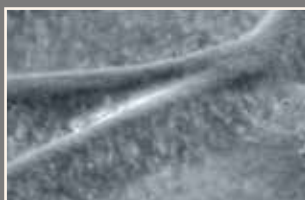
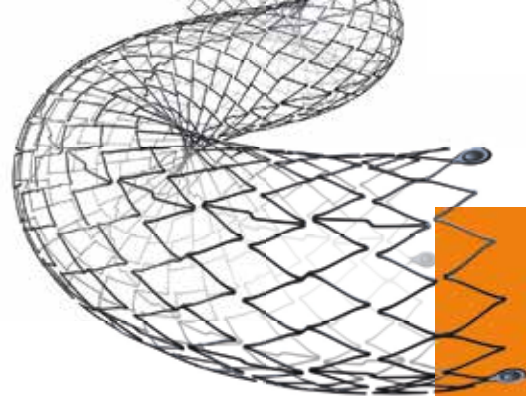


Easy Flype

NITINOL SELF EXPANDING STENT FOR SFA

Easy Flype is a dedicated self expanding stent with hybrid cell design maximizing flexibility and conformability in SFA.



- Proven bio and haemo-compatibility enabled by the Bio Inducer Surface coating, accelerating strut coverage, reducing thrombogenicity and sealing against heavy metal ions release



- Effective balance between flexibility (for optimal conformability) and radial force (for highly calcified vessels), available up to 150mm in length



- Superior track and high precision upon stent release provided by a unique single-hand delivery system

TECHNICAL DATA

PERIPHERAL STENT	
Stent diameters:	6 - 8 mm
Stent lengths:	20 - 150 mm
Stent material:	Nickel titanium alloy (nitinol)
Strut surface coating:	Bio Inducer Surface
6 tantalum radiopaque markers	
DEVICE SPECIFICATIONS	
Over The Wire (OTW)	
Introducer sheath compatibility:	6F
Guidewire compatibility:	0.035"
Usable Catheter Length - UCL	85 & 135 cm

Easy Flype

NITINOL SELF EXPANDING STENT FOR SFA

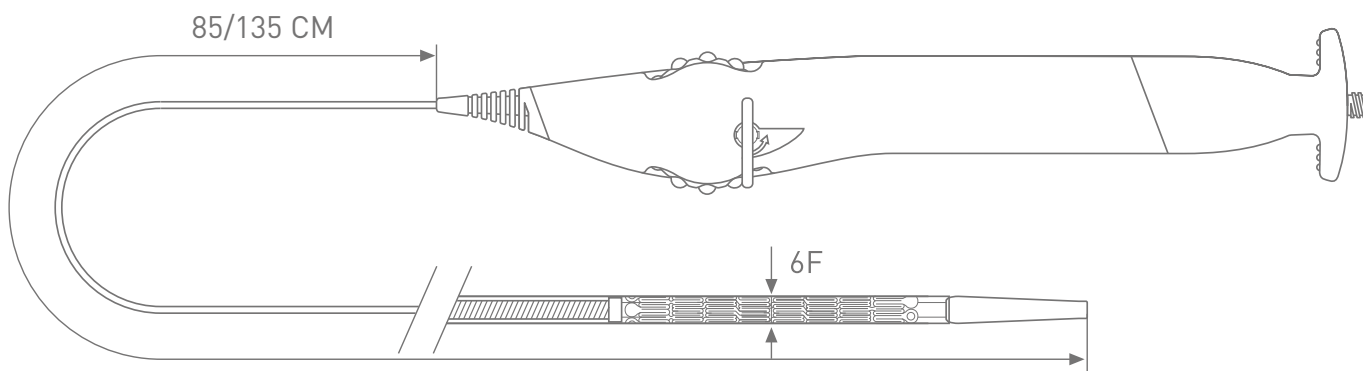
ORDER INFORMATION EASY FLYPE

USABLE CATHETER LENGTH 85 CM

∅ (mm) \ L (mm)	20	40	60	80	100	120	150
6.00	ICEF6020S	ICEF6040S	ICEF6060S	ICEF6080S	ICEF60100S	ICEF60120S	ICEF60150S
7.00	ICEF7020S	ICEF7040S	ICEF7060S	ICEF7080S	ICEF70100S	ICEF70120S	ICEF70150S
8.00	ICEF8020S	ICEF8040S	ICEF8060S	ICEF8080S	ICEF80100S	ICEF80120S	ICEF80150S

USABLE CATHETER LENGTH 135 CM

∅ (mm) \ L (mm)	20	40	60	80	100	120	150
6.00	ICEF6020L	ICEF6040L	ICEF6060L	ICEF6080L	ICEF60100L	ICEF60120L	ICEF60150L
7.00	ICEF7020L	ICEF7040L	ICEF7060L	ICEF7080L	ICEF70100L	ICEF70120L	ICEF70150L
8.00	ICEF8020L	ICEF8040L	ICEF8060L	ICEF8080L	ICEF80100L	ICEF80120L	ICEF80150L



www.alvimedica.com

Please contact your local sales representative for product availability. Not for sale in the USA and Japan.

The images shown within this document are of a purely illustrative nature and are not intended to depict reality.

Please consult product labels and package inserts for indications, contraindications, hazards, warnings, cautions and instruction for use.

Manufactured by: CID S.p.a., Strada per Crescentino, sn - 13040 Saluggia (VC) Italy

©2018, Alvimedica. All Rights Reserved.